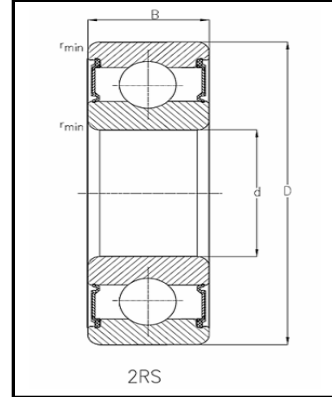


Deep Groove Ball Bearings
Wide Series 62300



Bearing Type	Dimensions				Load Ratings		Speed Ratings (1/min)		
	d (mm)	D (mm)	B (mm)	r _{min} (mm)	C _{iso} (kN)	C _{oiso} (kN)	Thermal Reference Speed	Speed Limit	
								Grease	Oil
62300	10	35	17	0.6	8.1	3.44	21100	26000	32000
62301	12	37	17	1	9.71	4.19	20000	22000	28000
62302	15	42	17	1	11.33	5.35	17500	19000	24000
62303	17	47	19	1	13.63	6.62	14700	17000	22000
62304	20	52	21	1.1	15.94	7.88	14400	15000	19000
62305	25	62	24	1.1	23.62	12.13	12200	13000	16000
62306	30	72	27	1.1	28.16	15.82	10400	11000	13000
62307	35	80	31	1.5	33.32	19.15	10300	9500	12000
62308	40	90	33	1.5	40.72	23.94	9000	8500	11000
62310	50	110	40	2	61.99	38.19	7300	6700	8500