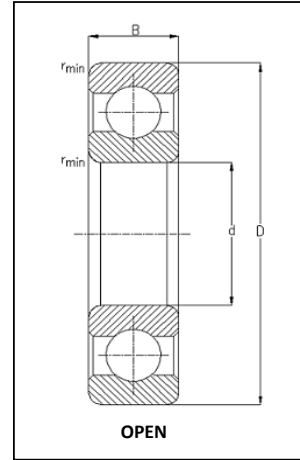


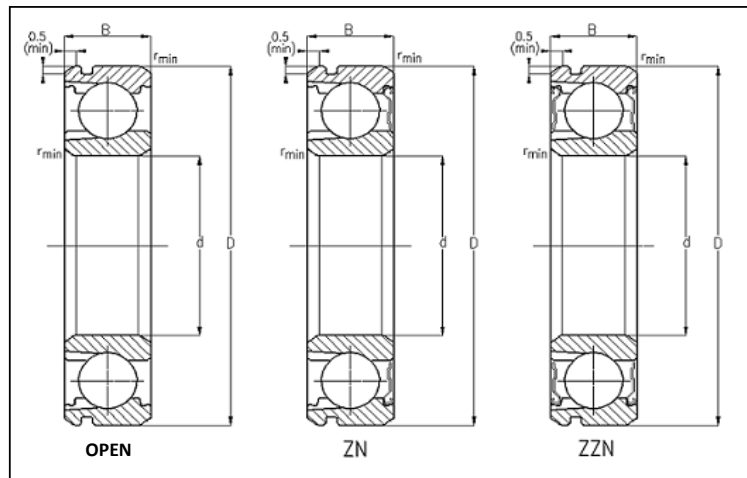
**Deep Groove Ball Bearings**  
**Series RMS**



Bearing Type	Dimensions				Load Ratings		Speed Ratings (1/min)		
	d (mm)	D (mm)	B (mm)	rmin (mm)	Ciso (kN)	Coiso (kN)	Thermal Reference Speed	Speed Limit	
								Grease	Oil
<b>RMS 9</b>	28,58	71,425	20,638	1,1	28,16	15,82	-	9600	12000

**Deep Groove Ball Bearings**  
**with filling slot**

- Series 200 / 300**  
**200 NR / 300 NR**  
**200 ZNR / 300ZNR**  
**200 ZZNR / 300 ZZNR**



Bearing Type	Dimensions				Load Ratings		Speed Ratings (1/min)		
	d (mm)	D (mm)	B (mm)	rmin (mm)	Ciso (kN)	Coiso (kN)	Thermal Reference Speed	Speed Limit	
								Grease	Oil
<b>210</b>	50	90	20	1,1	38,89	34,77	-	6400	8000
<b>211</b>	55	100	21	1,5	48,10	43,86	-	6000	7500
<b>213</b>	65	120	23	1,5	69,07	65,06	-	4800	6000
<b>308</b>	40	90	23	1,5	46,40	35,80	-	7200	9000
<b>309</b>	45	100	25	1,5	59,37	46,73	-	6400	8000
<b>310</b>	50	110	27	2	68,59	56,90	-	5600	7000