

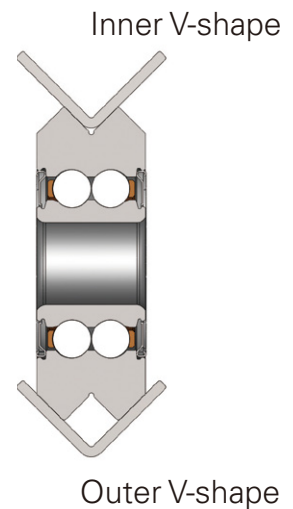
# SMT

## GW Series Guide Wheel Bearings

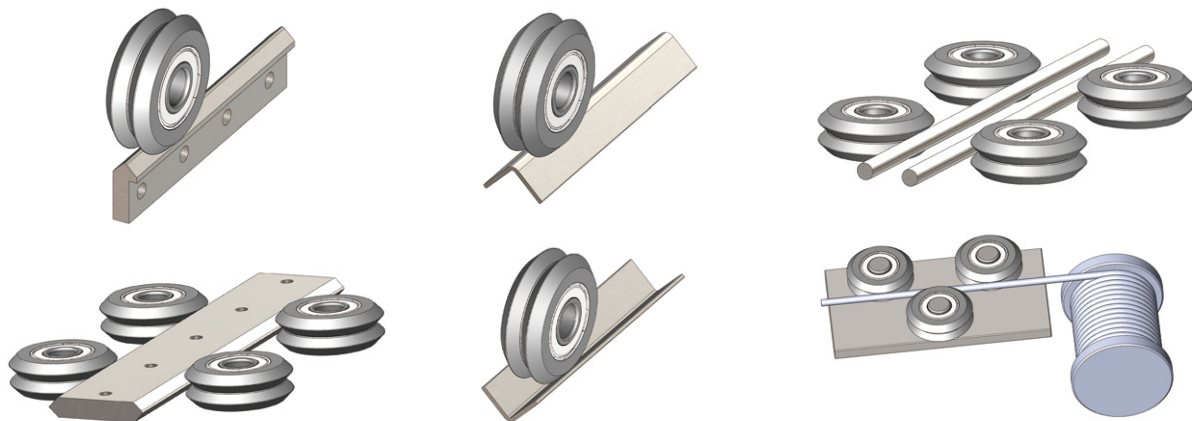


### ©Features

1. Operable with either outer or inner V-shape of the W-shaped outer ring and usable for various applications as guide wheel.
2. High precision grade by integral construction of bearing and precision-ground W-shaped outer ring.
3. Tolerant to both radial and axial load with inner construction of double row angular contact type and also resistant to moment load.
4. Available with both SAE 52100 bearing steel and AISI 440C stainless steel.



### ©Usage examples

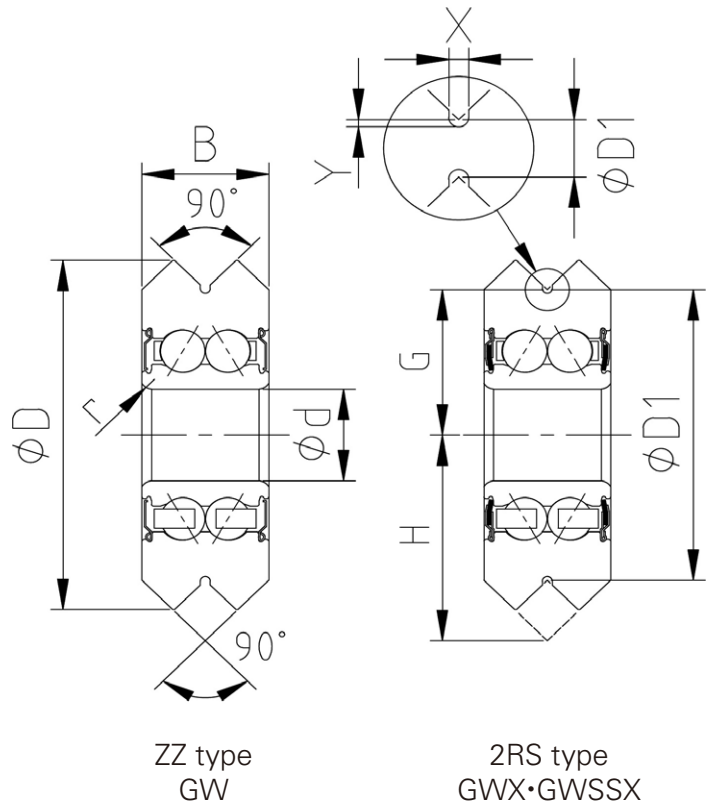


## ◎Product Specifications

### ●Standard Specifications

	GW・GWX	GWSSX
Outer/Inner rings	SAE52100	AISI440C
Balls	SAE52100	AISI440C
Retainer	66 Nylon	66 Nylon
Shields	SECC	—
Seals	NBR	NBR
Lubricant *	Lithium-based	Lithium-based

\*Available with fluorine grease of chemical and heat resistance, food grade grease, and other special greases.



### ●Dimensions

Bearing Numbers	d		D	B	D1	G	H	X	Y	r min.	Cr	C0r
	mm	tolerance										
GW1 GW1X GW1SSX	4.762	0 -0.008	19.58	7.874	15.875	7.937	11.870	0.50	0.27	0.5	2180	1110
GW2 GW2X GW2SSX	9.525		30.73	11.112	25.400	12.700	18.259	0.60	0.30	0.5	4700	2780
GW3 GW3X GW3SSX	12.000		45.80	15.875	38.100	19.050	26.989	0.75	0.18	0.6	9150	5050
GW4 GW4X GW4SSX	15.000		59.94	19.050	50.800	25.400	34.931	0.89	0.20	0.6	12800	7900

# SMT

## Nankai Seiko Co., Ltd.

3-6-1, Techno Stage, Izumi, Osaka 594-1144, Japan.

TEL 0725-53-5563 FAX 0725-53-5576

URL <http://www.smtbearing.com>